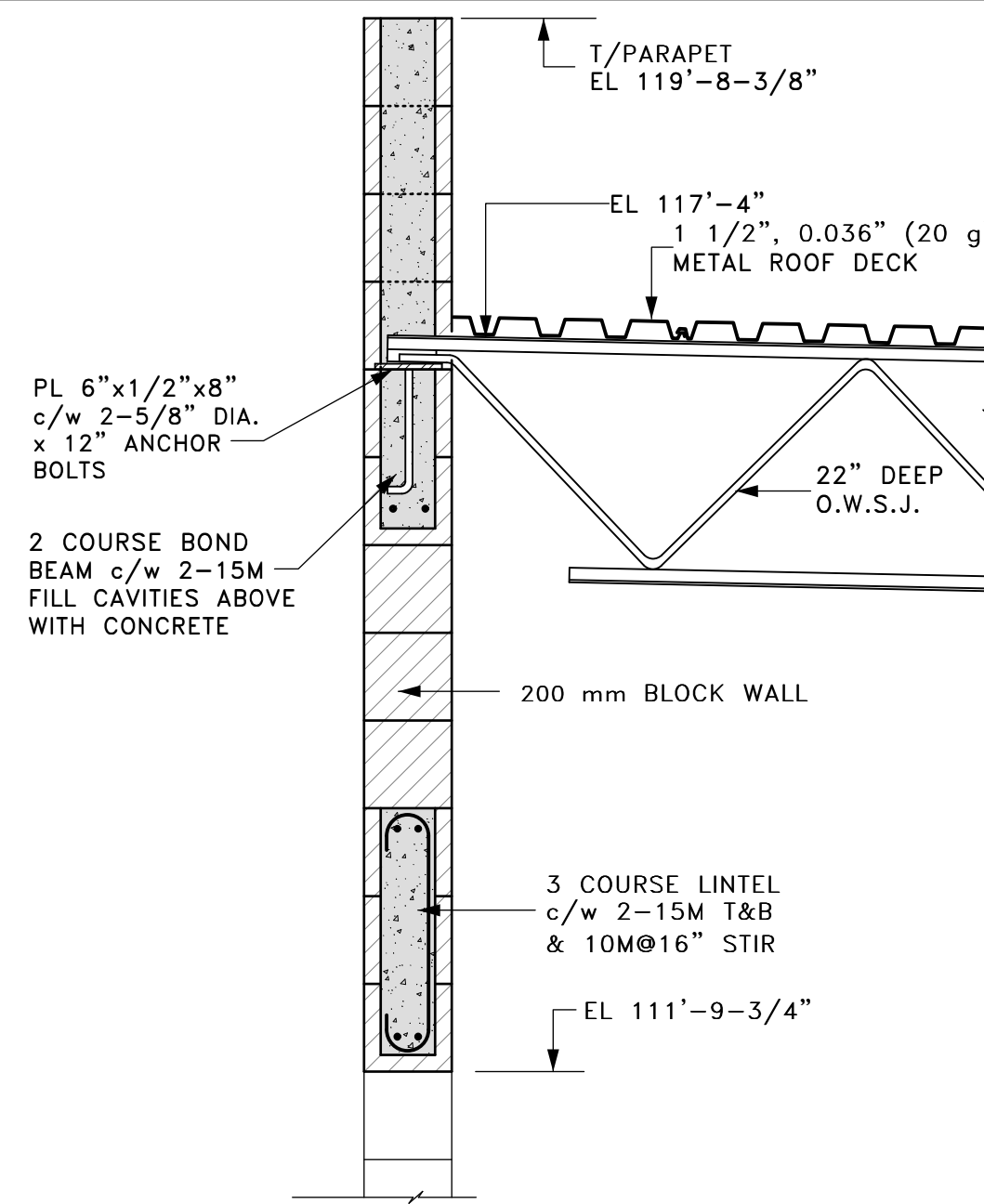
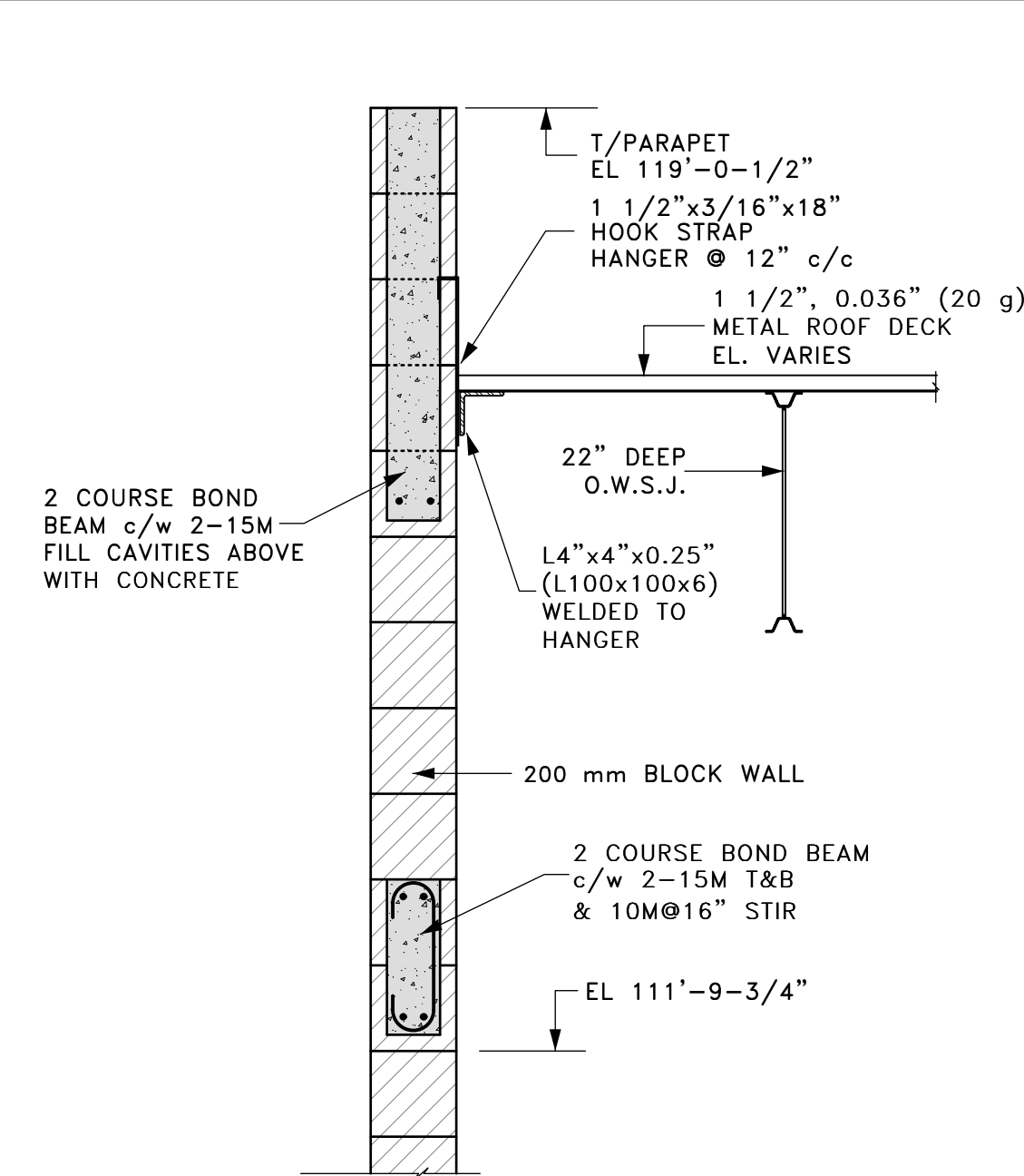


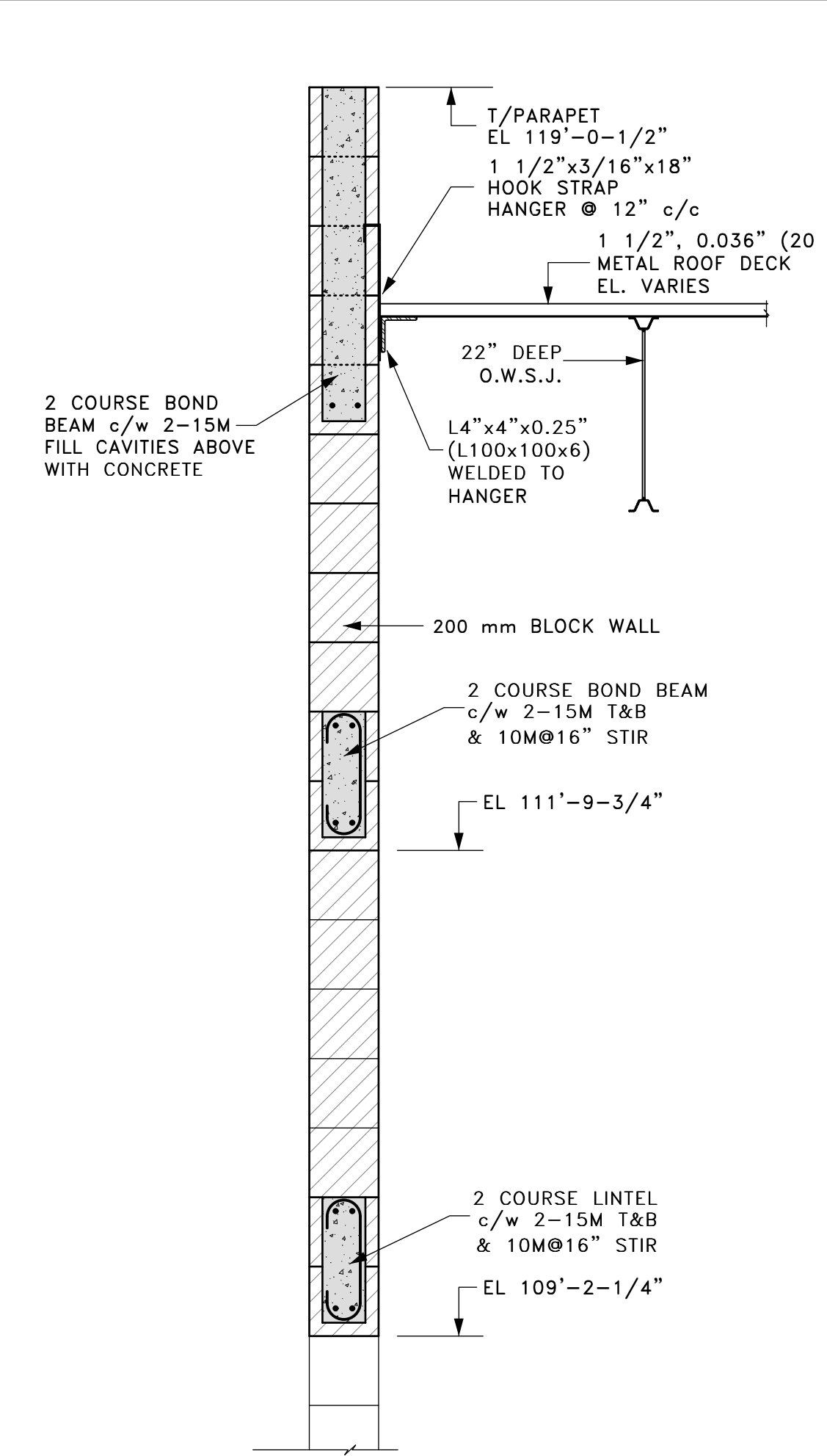
A SECTION
S2/S3 SCALE: 3/4" = 1'-0"



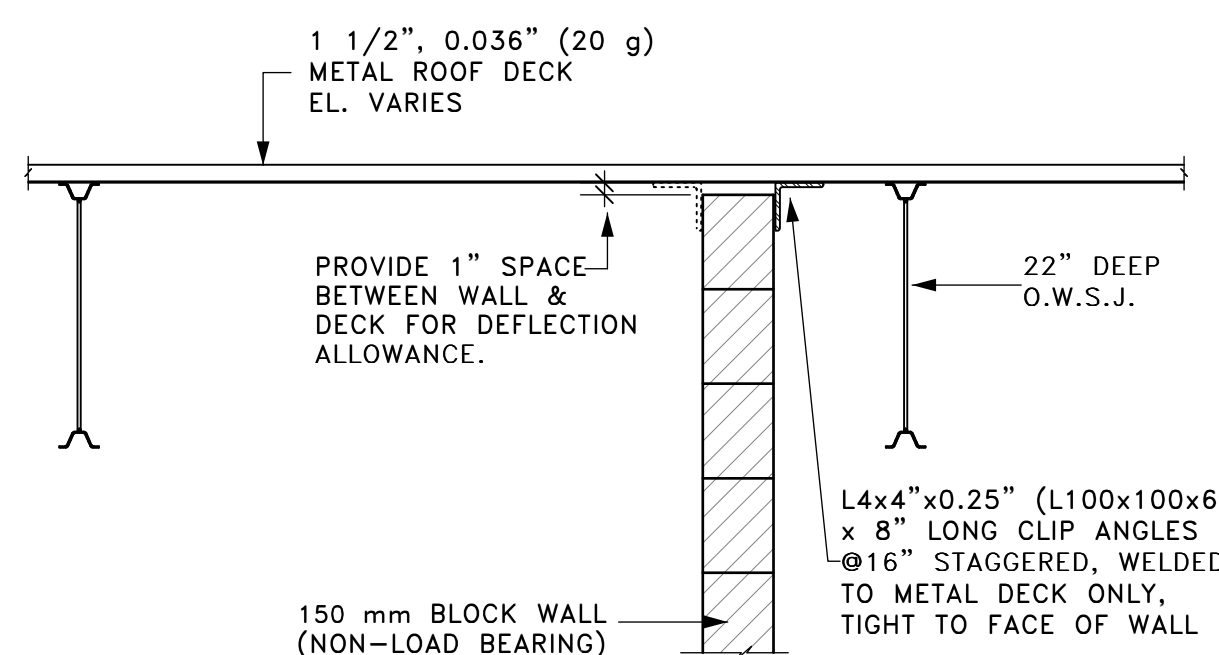
B SECTION
S2/S3 SCALE: 3/4" = 1'-0"



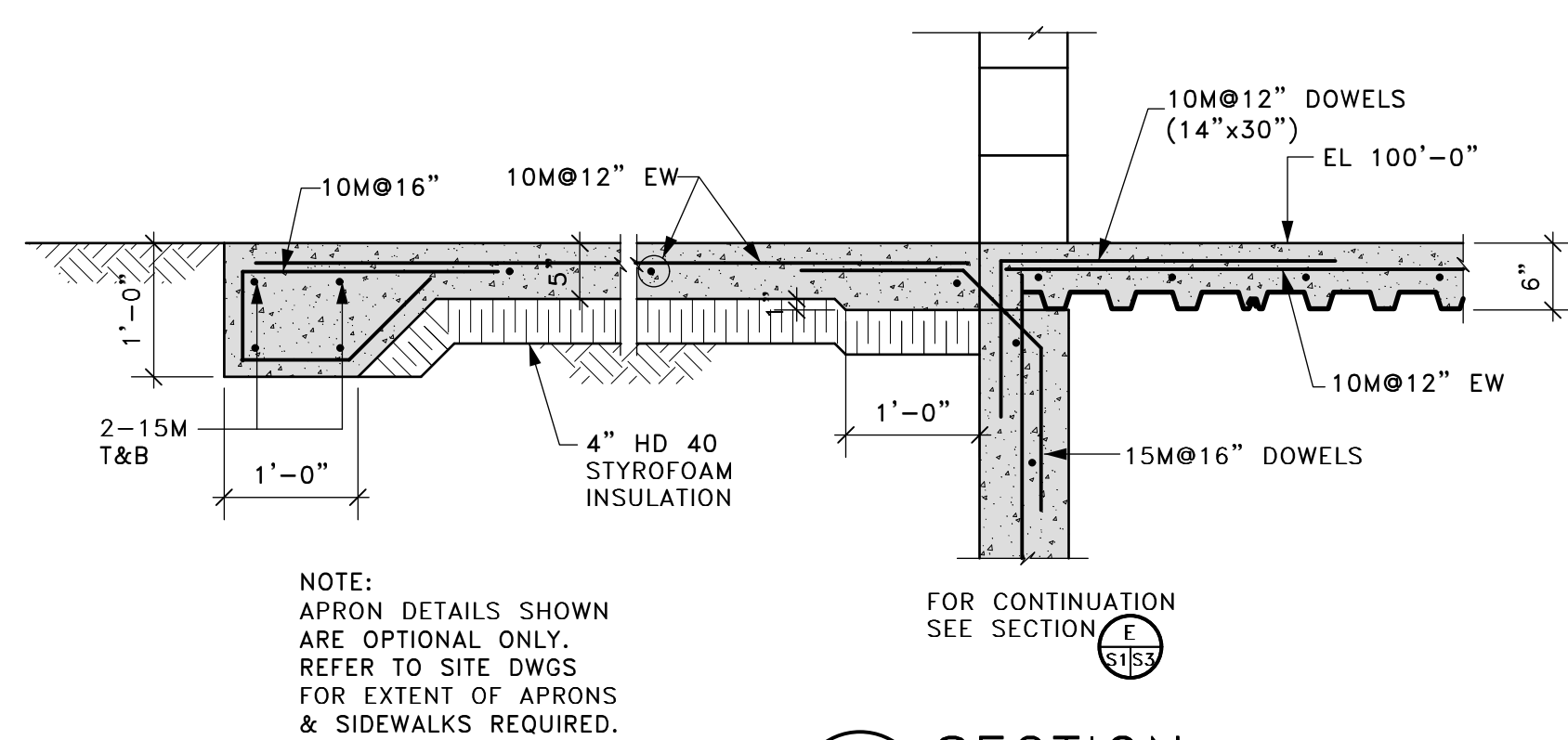
C SECTION
S2/S3 SCALE: 3/4" = 1'-0"



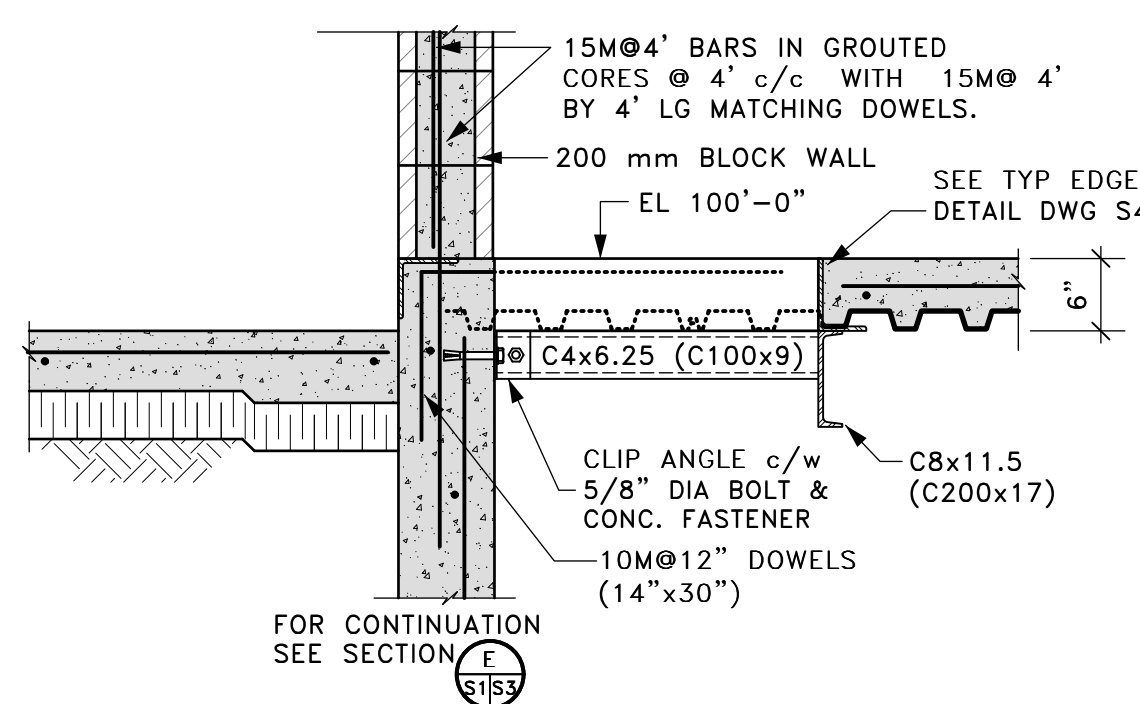
D SECTION
S2/S3 SCALE: 3/4" = 1'-0"



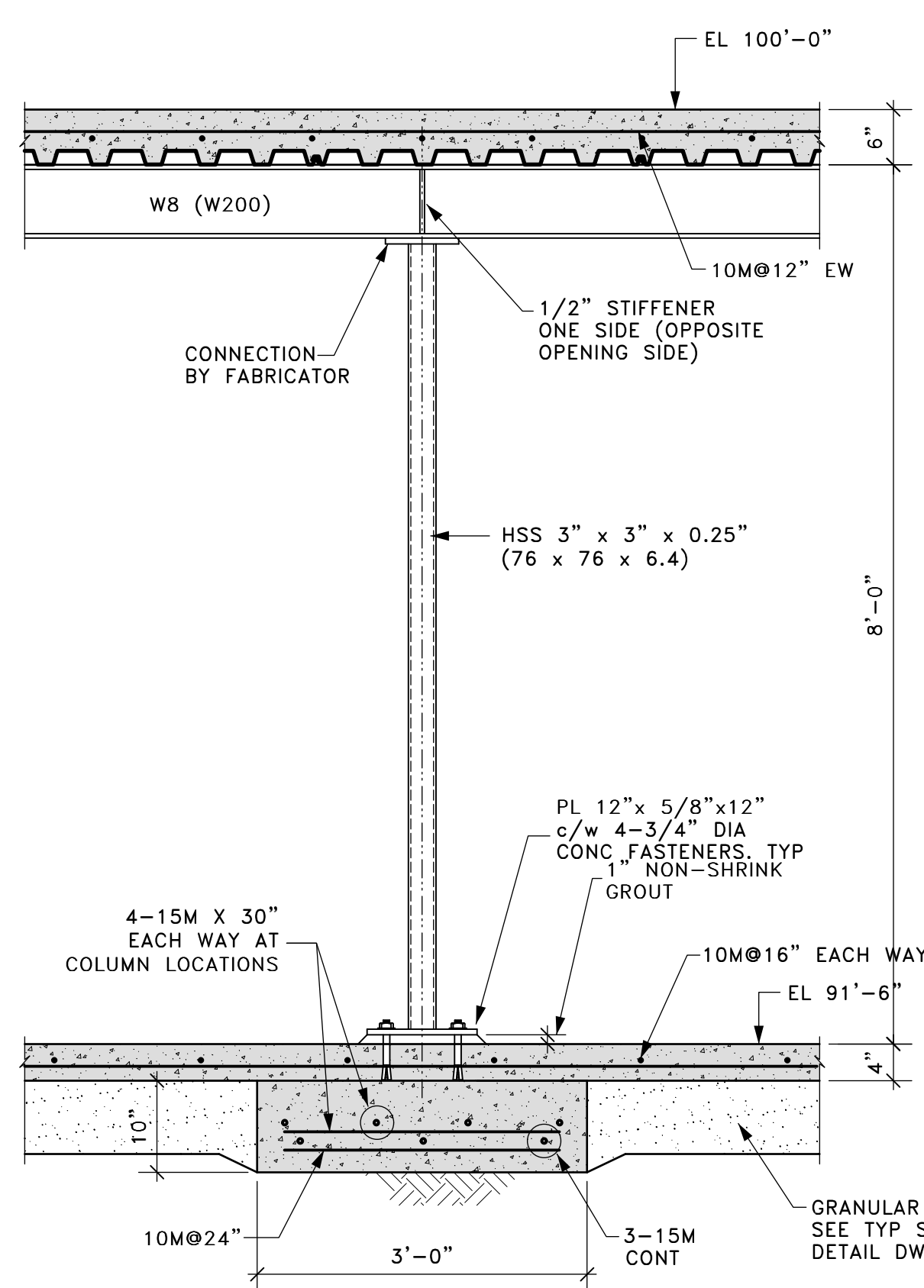
TYPICAL PARTITION WALL AT ROOF DETAIL
SCALE: 3/4" = 1'-0"



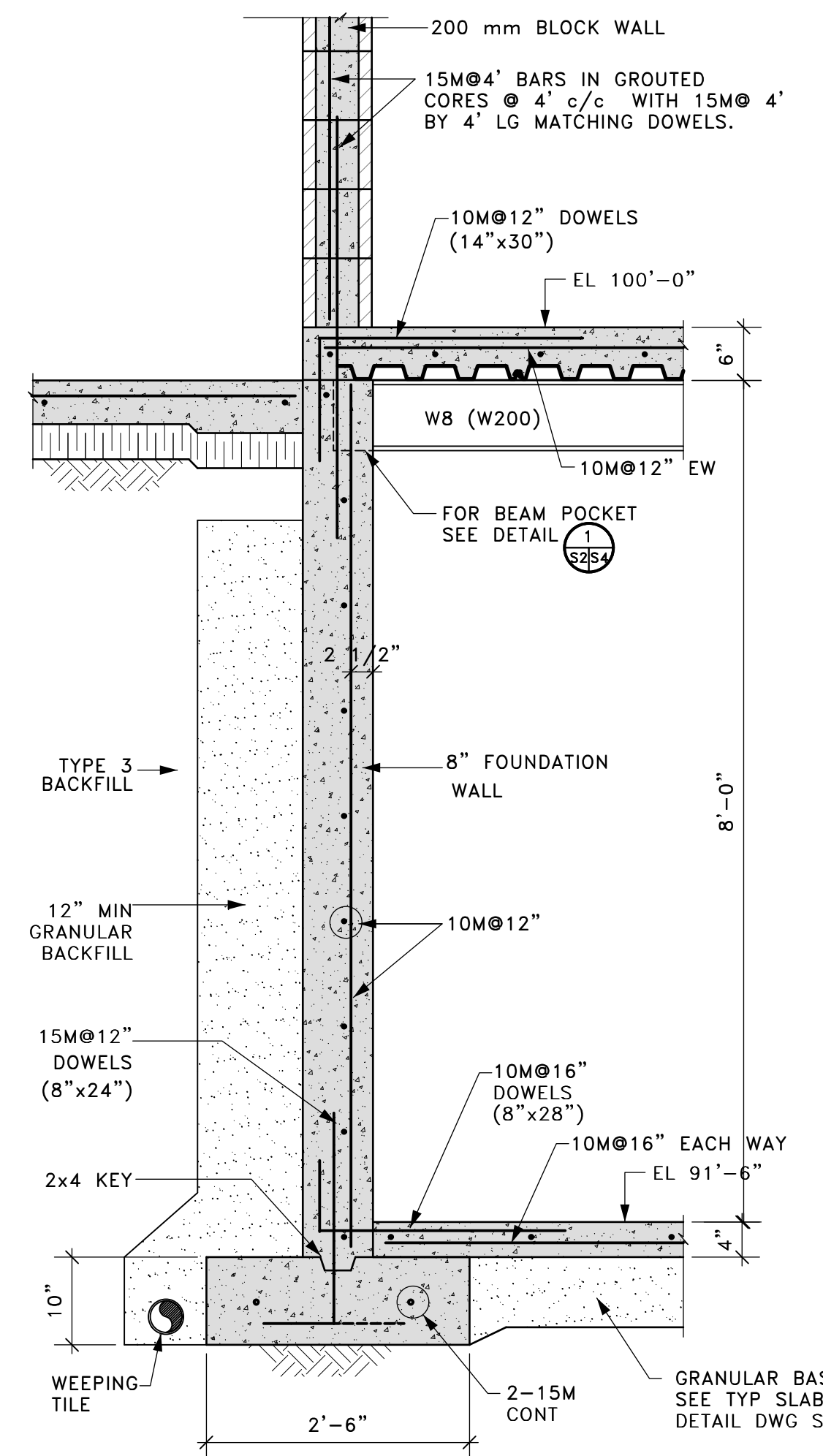
H SECTION
S1/S3 SCALE: 3/4" = 1'-0"



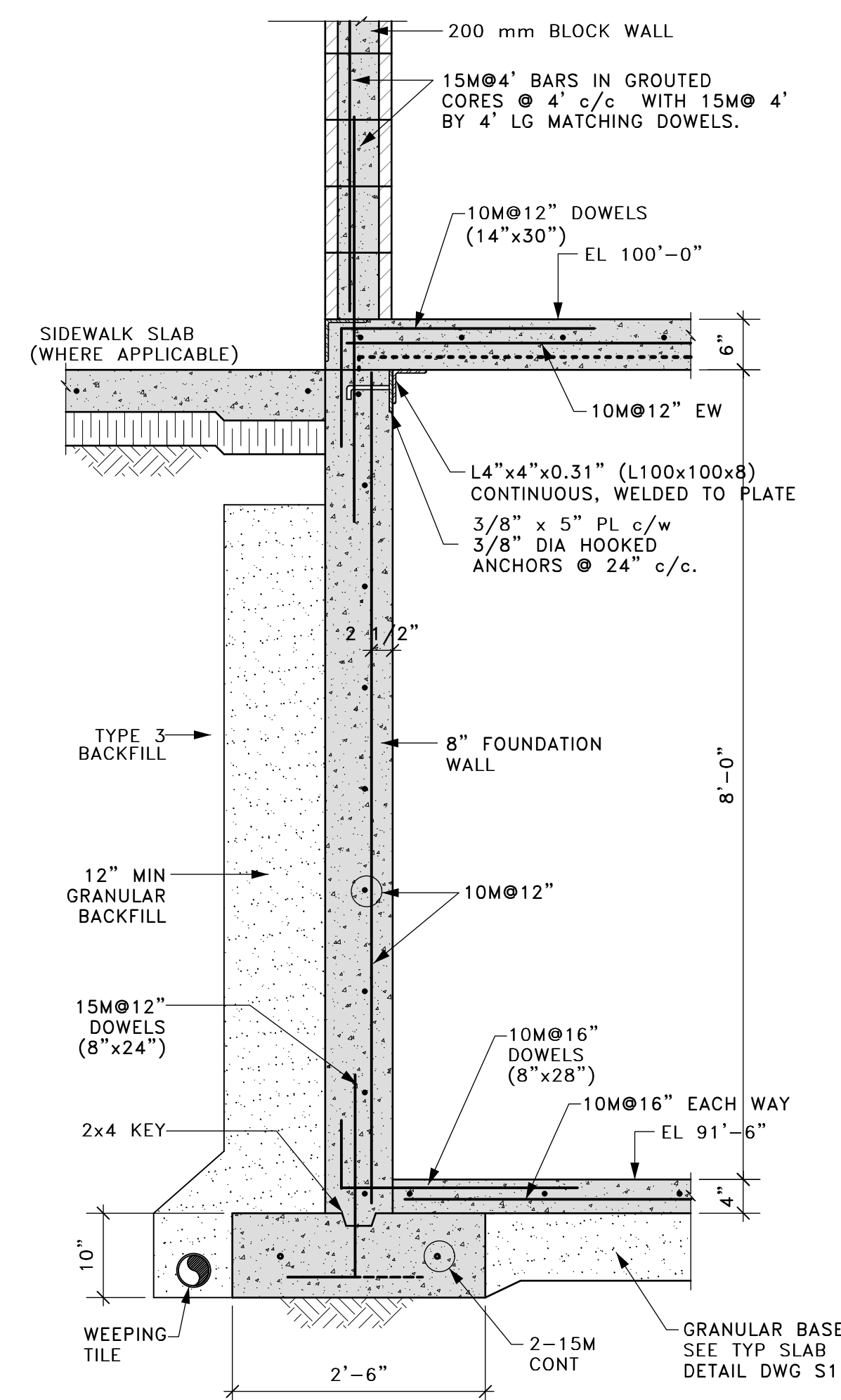
J SECTION
S1/S3 SCALE: 3/4" = 1'-0"



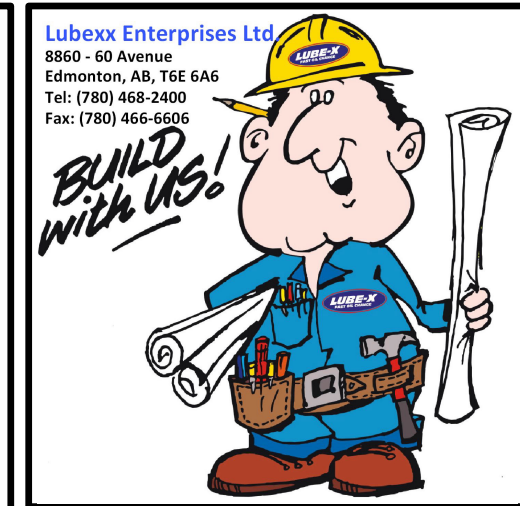
G SECTION
S1/S3 SCALE: 3/4" = 1'-0"



E SECTION
S1/S3 SCALE: 3/4" = 1'-0"



F SECTION
S1/S3 SCALE: 3/4" = 1'-0"



REVISIONS:	DATE:

ISSUED FOR BUILDING PERMIT	09.07.10
ISSUED FOR FOUNDATION PERMIT	09.07.10
ISSUED FOR DESIGN REVIEW	08.06.18

DEVELOPER:
 10213 - 111 Street, Edmonton, Alberta, T5K 2V6
 Tel: (780) 425-5525 Fax: (780) 425-3564

PRIME CONSULTANT:
VENTURE ENGINEERING CONSULTANTS LTD.
 P-780 484 1974 | F-780 484 1975 | venture@connect.ab.ca
 www.Venture-Engineering.com 4003 Aspen Drive East, Edmonton, Alberta, T6L 2A7

SEAL:

LUBEX
 297 POWDER DRIVE
 3-BAY (RIGHT) DRIVE-THRU OIL CHANGE FACILITY



TOWN: FORT McMURRAY **PROVINCE:** ALBERTA

THESE DRAWINGS AND SPECIFICATIONS, AS INSTRUMENTS OF SERVICE ARE THE PROPERTY OF LUBEX ENTERPRISES LTD. THE COPYRIGHT IN THE SAME BEING RESERVED TO THEM. NO REPRODUCTION MAY BE MADE WITHOUT THE PERMISSION OF LUBEX ENTERPRISES LTD. ANY AND ALL ERRORS OR OMISSIONS IN THIS DRAWING AND/OR THE SPECIFICATIONS SHALL BE REFERRED TO LUBEX ENTERPRISES LTD. FOR CORRECT INTERPRETATION AND PROPER REVISION BEFORE PROCEEDING WITH THE WORK.

DRAWING TITLE:
STRUCTURAL SECTIONS

SCALE: (AS NOTED)
DRAWN BY: dis
CHECKED BY: RAK
FILE NO.: 0906-47
DRAWING ISSUE DATE: July 10, 2009
DATE OF PLOT: July 10, 2009
SHEET NO.: S-3